

Thermostatic mixing valve MIX THERM

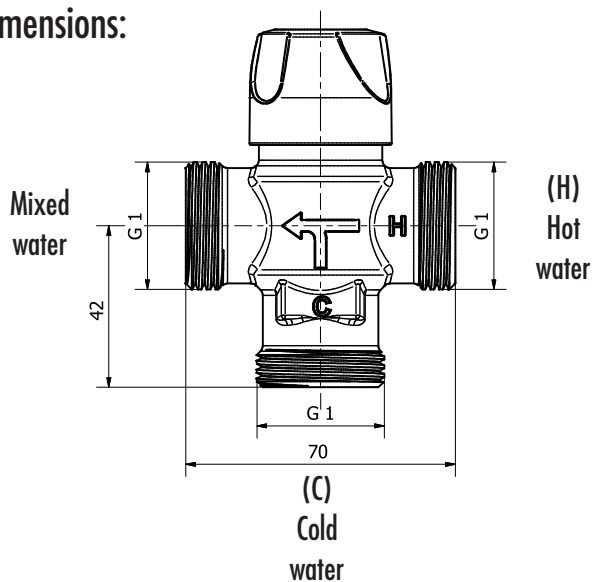


Thermostatic mixing valves **MIX THERM** series are designed to regulate the power factor of the installation of central heating radiators and floor heating.

Technical data:

- Max. temp. of hot water: +90°C
- Adjustable temperature range: 20°C-45°C (+/- 2K) or 35°C-60°C (+/- 2K)
- Max static pressure: 10 bar
- Max differential pressure: 5 bar
- Max pressure ratio: 2:1
- Min. operating pressure: 0,2 bar
- Kvs: 3,4
- Max flow: 70 l/min
- Connection **MIX THERM**: 3 x 1" GZ
- Medium: water, glycol 30% max

Dimensions:



Temperature range							
T°	MIN	1	2	3	4	5	MAX
20-45°C	(24°C)	24°C	29°C	34°C	39°C	44°C	45°C
35-60°C	38°C	41°C	45°C	50°C	54°C	58°C	60°C

Valve characteristics:

